

ProcessGard® Lab Disk Disposable Filter

*Small disk disposable filter for
laboratory and R&D*

ProcessGard® Lab Disk Disposable filters are specially designed for simple, quick and efficient filtration of liquids used in laboratory, pilot and small-scale applications.

APPLICATIONS

- Fluids used in laboratory, pilot, and small-scale applications
- Chemistry: photochemicals, solvents, photoresists, acids, and bases

FEATURES & BENEFITS

| | |
|--|--|
| Various types of filtration media & retention rating | Compatible with a wide range of liquid types |
| Available in 3 disposable sizes | Filter size can be selected according to filtration volume |

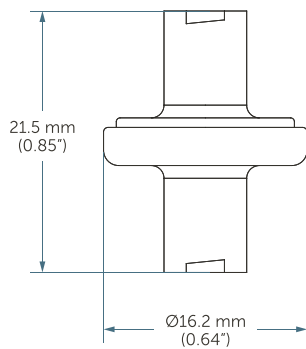


SPECIFICATIONS

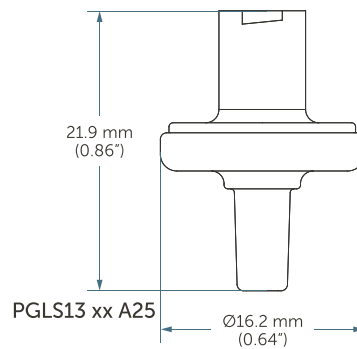
| | | |
|----------------------------------|---------------------------------------|---|
| Materials of construction | Filtration media | Hydrophobic PTFE |
| | | UPE |
| | | Hydrophilic PTFE |
| | | Polypropylene |
| | | PES |
| | Support | Polypropylene |
| | Shell | Polypropylene |
| Fitting connections | | Luer lock |
| Retention rating | Hydrophobic PTFE | 0.05, 0.1, 0.2, 0.5, 1, 3, 10 μm |
| | UPE | 0.1, 0.2, 0.5, 1 μm |
| | Hydrophilic PTFE | 0.1, 0.2, 0.5, 1, 3, 10 μm |
| | Polypropylene (nominal) | 0.1, 0.2, 0.5, 1, 2, 3, 5, 10, 20, 30, 40 μm |
| | PES | 0.05, 0.1, 0.2, 0.45, 1 μm |
| Filtration area | 13 size type | 0.8cm ² |
| | 25 size type | 3.3cm ² |
| | 50 size type | 15.5cm ² |
| Operating conditions | Maximum forward differential pressure | 0.3 MPa (3.0 bar, 43.5 psid) @ 20°C [68°F] |
| | Maximum reverse differential pressure | 0.2 MPa (2.0 bar, 29.0 psid) @ 20°C [68°F] |
| | Maximum operating temperature | 60°C (140°F) |

DRAWINGS

PGLS13 xx A25

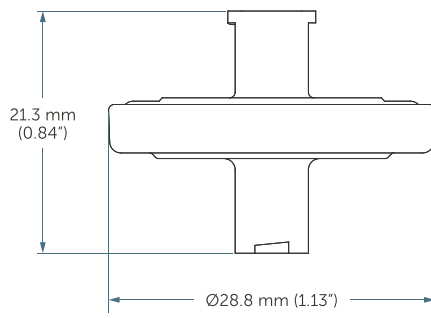


PGLS13 xx B25

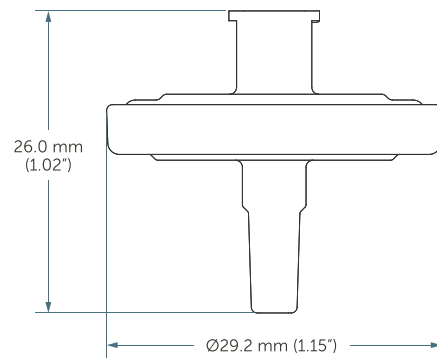


DRAWINGS

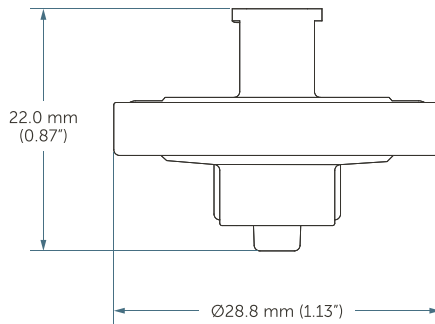
PGLS25 xx A25



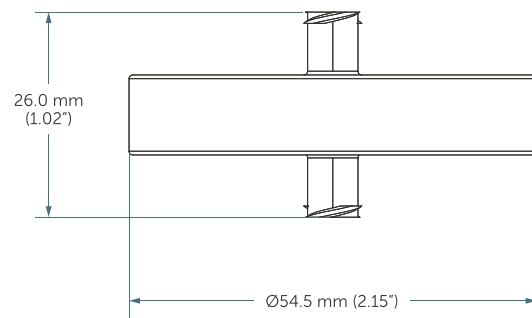
PGLS25 xx B25



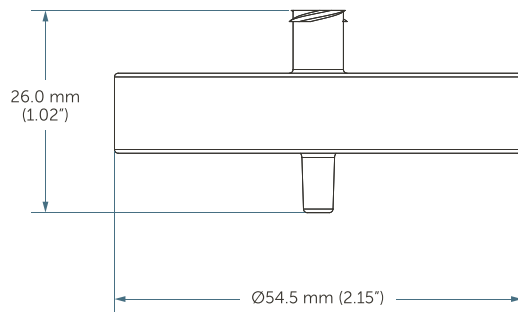
PGLS25 xx C25



PGLS50 xx A25

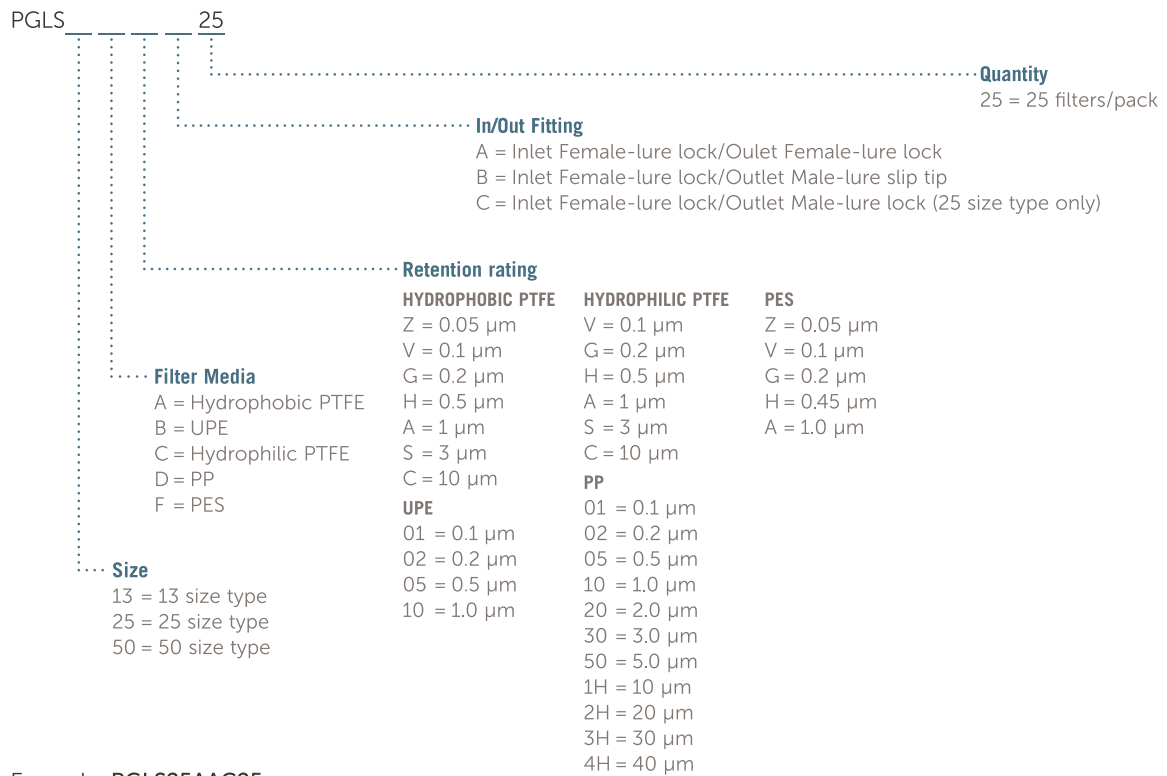


PGLS50 xx B25



ORDERING INFORMATION

ProcessGard Lab Disk Disposable Filter: part number



Example: PGLS25AAC25

- Size: 25 size type
- Filter media: Hydrophobic PTFE
- Retention rating: 1.0 µm
- Fitting: Inlet Female-lure lock/Outlet Male-lure lock
- Quantity: filters/pack

FOR MORE INFORMATION

Please call your Regional Customer Service Center today to learn what Entegris can do for you. Visit [entegris.com](https://www.entegris.com) and select the [Contact Us](#) link to find the customer service center nearest you.

TERMS AND CONDITIONS OF SALE

All purchases are subject to Entegris' Terms and Conditions of Sale. To view and print this information, visit [entegris.com](https://www.entegris.com) and select the [Terms & Conditions](#) link in the footer.



Corporate Headquarters
129 Concord
Billerica, MA 01821
USA

Customer Service
Tel +1 952 556 4181
Fax +1 952 556 8022
Toll Free 800 394 4083

Entegris®, the Entegris Rings Design®, and other product names are trademarks of Entegris, Inc. as listed on [entegris.com/trademarks](https://www.entegris.com/trademarks). All third-party product names, logos, and company names are trademarks or registered trademarks of their respective owners. Use of them does not imply any affiliation, sponsorship, or endorsement by the trademark owner.